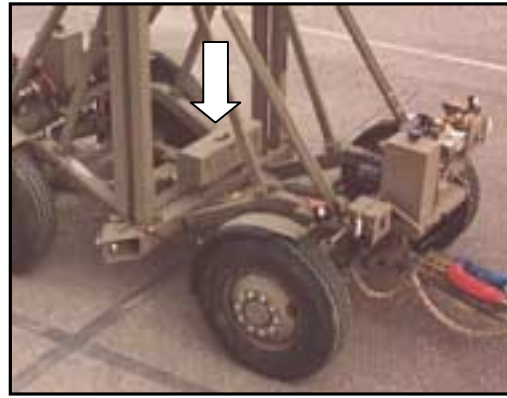


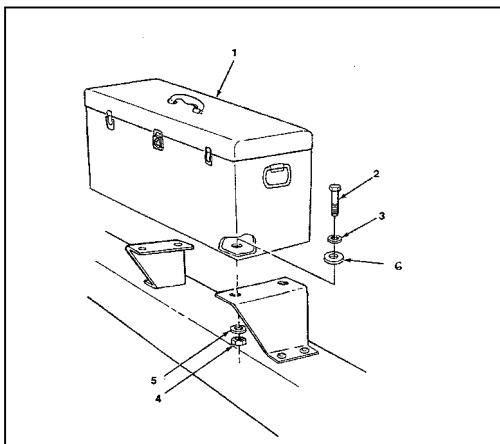
Steel Toolbox Upgrade Kit - M1022-A1 Dolly Set



The steel toolbox upgrade kit replaces the plastic toolbox supplied as OEM equipment on US Army M1022-A1 Dolly Set Mobilizers. Field experience with the M1022-A1 system has resulted in reports of damage to the plastic toolbox during normal operations.

The steel toolbox upgrade is supplied as a kit which includes all mounting hardware to easily install the toolbox onto the existing M1022-A1 toolbox mounting brackets.

Steel toolboxes have been supplied on more than 100 export and commercial dolly set systems since 1985 with no field complaints.



The dimensions of the new toolbox (32-in. long x 8.5-in. wide x 9.5-in. tall) present a lower profile than the plastic box while maintaining sufficient capacity for all M1022-A1 required items. The lower profile box does not interfere with any dolly set operation.

The Steel Toolbox Upgrade Kit can be ordered with one part number from CDK Mobile Systems (CAGE 1NHH8) as follows:

<u>Item</u>	<u>P/N</u>	<u>Description</u>	<u>Qty</u>
A	CPL-100	Steel Toolbox Upgrade Kit	1

each kit includes:

1	CD00114-1	Toolbox, Steel	1
2	MS90725-8	Screw, Cap	4
3	600-015-1-4	Packing	4
4	MS51922-1	Nut, Self Locking	4
5	MS15795-810	Washer	4
6	AN970-4	Washer	4

Note: The photo above shows the toolbox complete with an inch-size tool kit supplied to foreign customers. This kit is available for purchase if desired, but is not part of the steel toolbox upgrade kit.

Once received, the steel toolbox kit can be easily installed onto the dolly set using the illustration provided.